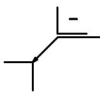



(Allowable tolerances) general tolerances ISO 2768-mK	(Surface) DIN EN ISO 1302	 Burred edges	Scale: 1:2	Material:
			Weight [kg]:	Norm_Datasheet_EN_A4.dwg
Execution consisting of:			Datasheet: B138K -(Material design)-(Screw length)	
Clamp upper part: XOK13840	Drawn C.H	Date 09.02.2017	Material design: Steel galvanized (ST), V2A V4A.	
Clamp under part: XU13840	Checked		Screw length: Grating height + 40mm.	
Screw: M8 DIN933				
Nut: M8 DIN557 +Washer				
			Technical modifications reserved	