

## Data Sheet

# Perforated Metal Plank Type BN-OP

The perforated metal plank type BN-OP, correspond to type BN-O in terms of the punching pattern, but have twice the number of holes. The drain holes have a diameter of 7 mm and thereby increase the drainage performance and light and air permeability.

### Technical Details

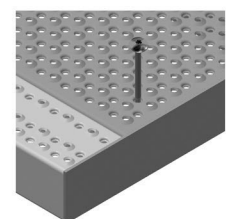
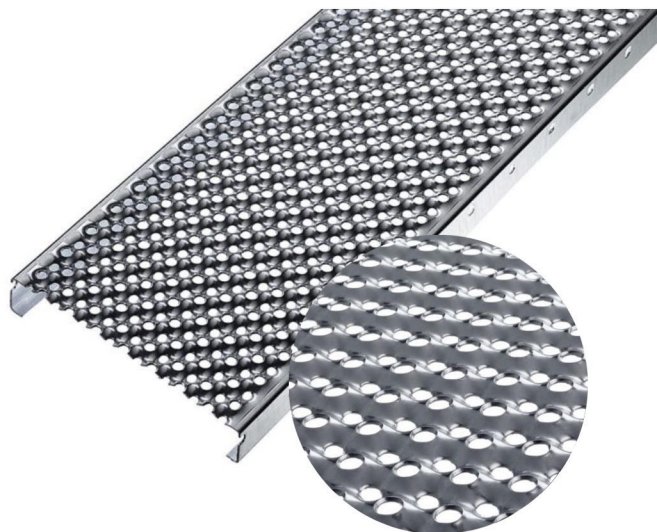
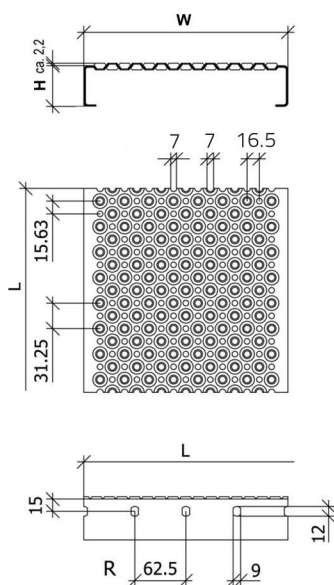
Material	Steel, Stainless Steel, Aluminium	Standard
Finish	Self Colour, Galvanised	BS EN ISO 1461
Height (H)	30, 50, 75, 100 and 150mm	
Thickness	Standard	2mm
Open Area	7.5%	
Slip Resistance, Surface Type	Galv, PTV 62 (Wet)	BS7976
Perforation Type	7mm holes, 10mm Ball proof	BS EN ISO 14122
Standard Production Lengths	10,000mm (possible)	
Standard Production Widths	150, 200 & 250mm (other widths possible)	

### Loading

Max Clear Span (\*Clear distance between supports) Dependent on depth - Confirmation on application

\*Supports must be fully supported on two opposing sides of the clear span

\*\* EN ISO 14122 states deflection between adjacent loaded and unloaded panels must not exceed 4mm



Fixing Type



Dome Head Tek Screw

